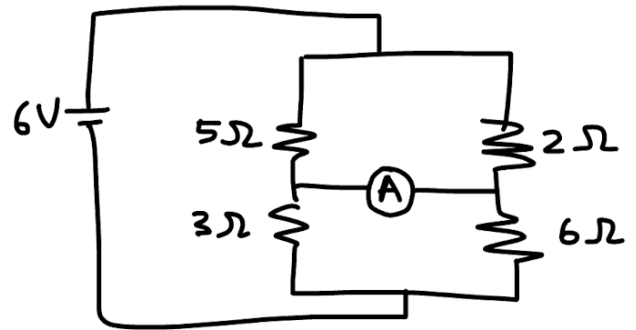
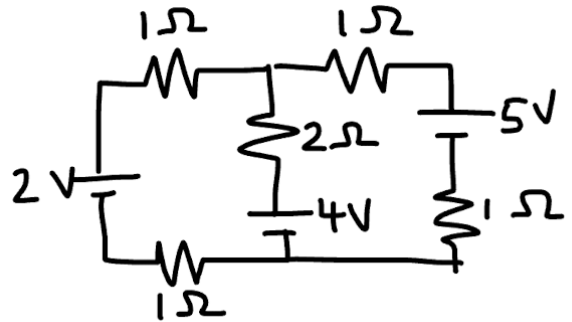


## Circuits Challenge Questions

- 1) Determine the reading of the ammeter.



- 2) Determine the current in each branch of the circuit.



- 3) Determine the equivalent resistance between points *A* and *B* in terms of *R*.

